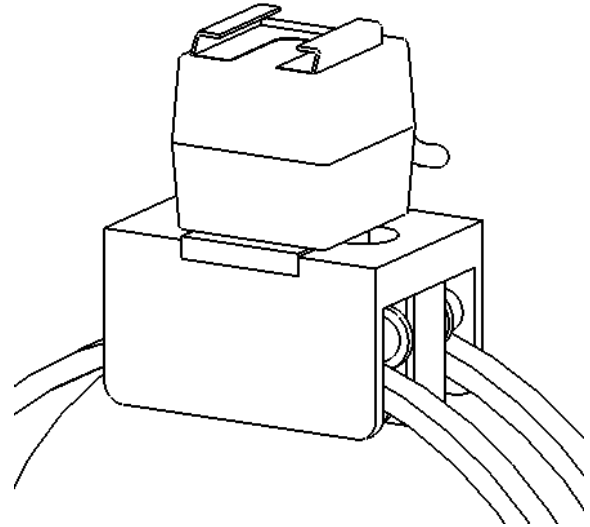
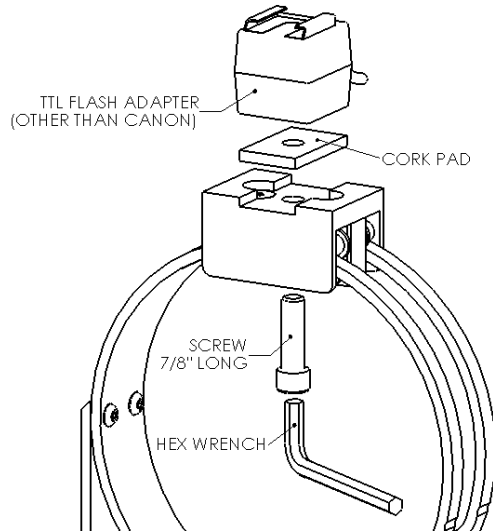


## MOUNTING INSTRUCTIONS

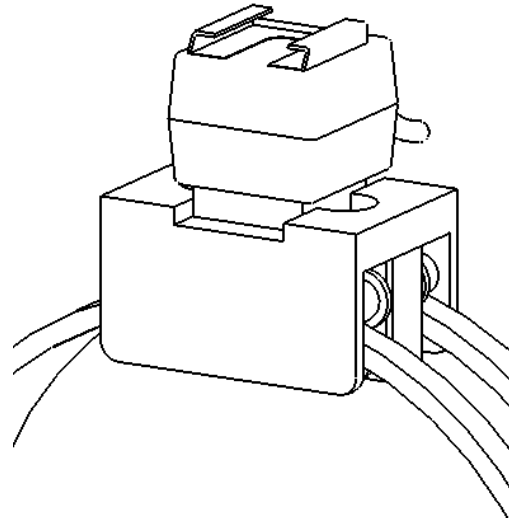
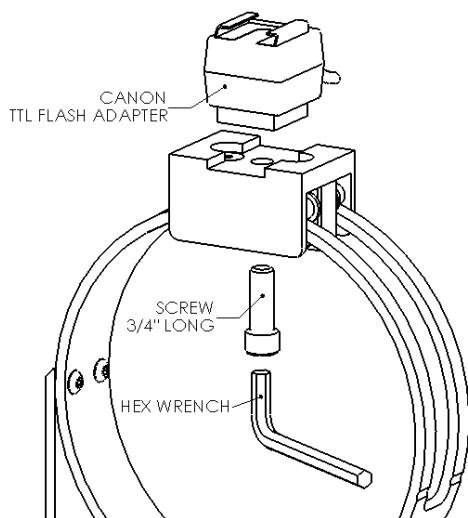
THE BRACKET ASSEMBLY IS BEING ATTACHED TO THE CAMERA WITH THE 1/4-20 RETAINING SCREW (included). INSTRUCTIONS BELOW DESCRIBE MOUNTING OF THE OFF-CAMERA TTL FLASH ADAPTER TO THE SLIDER.

### FOR ALL TYPES OF TTL FLASH ADAPTERS EXCEPT CANON



- PLACE THE CORK PAD, PAPER SIDE DOWN, INTO THE SLIDER OPENING AS SHOWN (PEELING THE PAPER SEAL AND BONDING THE CORK PAD INTO THE SLIDER PERMANENTLY IS OPTIONAL)
- USE THE LONGEST (7/8" LONG) SCREW ENCLOSED AND THE KEY WRENCH TO ATTACH THE TTL ADAPTER TO THE SLIDER MECHANISM

### FOR CANON TTL FLASH ADAPTER



- USE THE SHORTEST (3/4" LONG) SCREW ENCLOSED AND THE KEY WRENCH TO ATTACH THE TTL ADAPTER TO THE SLIDER MECHANISM