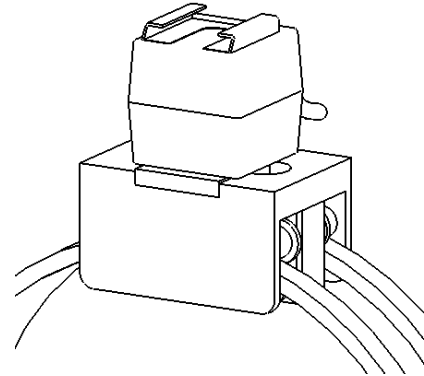
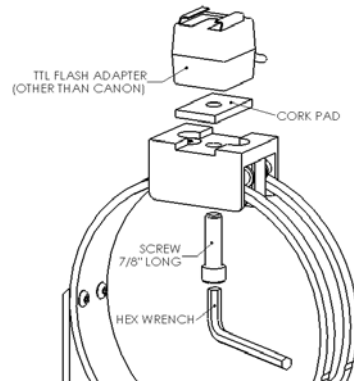


RFR105 UNIVERSAL MOUNTING ADAPTER for the Reporter Flash Ring - MOUNTING INSTRUCTIONS

STEP I - ATTACH THE RFR105 ADAPTER TO THE BRACKET AND THE TTL OFF-CAMERA CORD TO THE SLIDER AS SHOWN



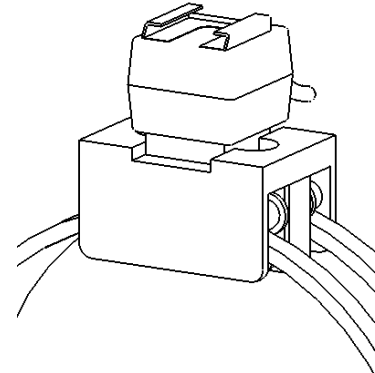
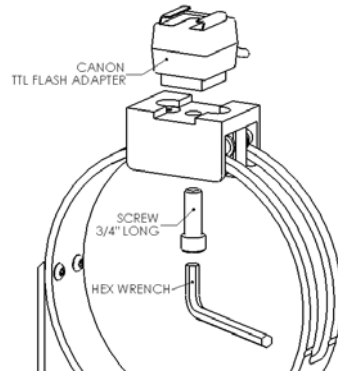
- **FOR ALL TYPES OF TTL FLASH CABLES EXCEPT CANON:**



PLACE THE CORK PAD, PAPER SIDE DOWN, INTO THE SLIDER OPENING AS SHOWN (PEELING THE PAPER SEAL AND BONDING THE CORK PAD INTO THE SLIDER PERMANENTLY IS OPTIONAL)

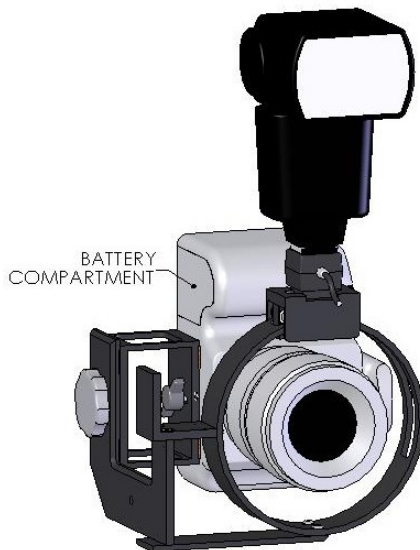
USE THE LONGEST (7/8" LONG) SCREW ENCLOSED AND THE KEY WRENCH TO ATTACH THE TTL ADAPTER TO THE SLIDER

- **FOR CANON TTL FLASH CABLE:**



USE THE SHORTEST (3/4" LONG) SCREW ENCLOSED AND THE KEY WRENCH TO ATTACH THE TTL ADAPTER TO THE SLIDER

STEP II - ATTACH THE CAMERA AND THE FLASH AS SHOWN



NOTE: On a few cameras the battery compartment is located close to the tripod mounting socket. In such cases, the RFR105 adapter may block the compartment door making it impossible to replace the battery without removing the adapter. A minimum 1/2" (38mm) space between the mounting socket and the battery compartment door is required in order to open the battery cover without un-mounting the camera.